



Dug-In Timber Hoarding

Specification Sheet

14/02/25

safesite[®]
F A C I L I T I E S

safesitefacilities.co.uk



Dug-In Timber Hoarding

Provide a secure perimeter for your site prior to construction or demolition works being carried out.

When site security and public safety are paramount it is critical to provide a secure fence perimeter to ensure this, which is why many of our clients will look to dug-in timber hoarding to provide this.

A dug-in foundation for your hoarding ensures a perimeter that stays standing in most weather conditions. At 2.4m height as a standard the hoarding is very difficult to climb and is a strong deterrent to any vandals looking to gain access to the site.

We understand the technical intricacies of building a construction site perimeter and can perform a full site survey, taking into account factors like wind loading and length of project to provide the perfect solution.

Key Features

- › Security and safety for both workers and general public
- › Vehicle and pedestrian gates are also available
- › Corporate colours and branding available
- › A robust choice for long term sites
- › Full site survey available
- › Deters vandals from site
- › Full design, supply and installation service



Option for extra security with Anti-Climb Spinners



Option for hoarding lights



Examples of Timber Hoarding



Dug-In Timber Hoarding

Here are some examples of our robust Dug-In Timber Hoarding on site.

As you will see from the examples to the right, the Dug-In Timber Hoarding offers a security blanket to your site, whilst creating a more pleasing aesthetic for the general public looking on.

The Dug-In Timber Hoarding system can provide the perfect solution for high profile sites that require a safe and secure structure to hold up for long time periods through harsh weather conditions.

The option to colour the hoardings in any RAL colours allows the client to stamp the hoarding with their brand, creating a professional and visually pleasing element to your site.





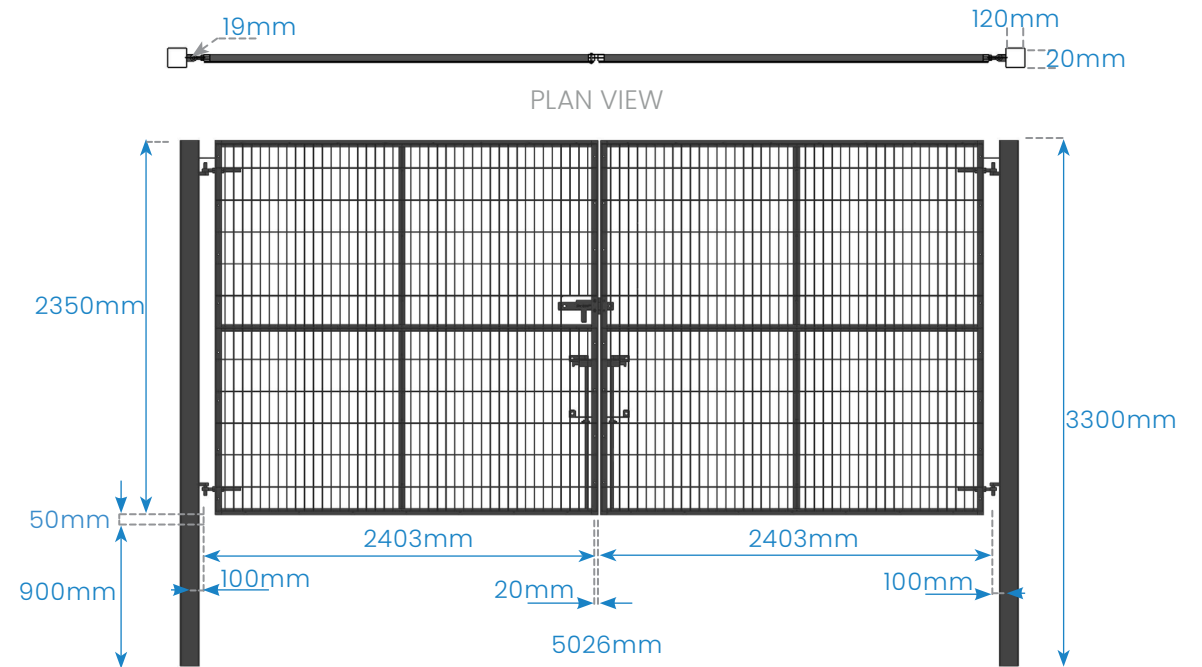
Timber Hoarding Vehicle Gate

It is a common requirement for most site to facilitate vehicular access, SafeSite Facilities is able to provide a vehicle gate bespoke to your sites needs.

As a standard we provide gates that are 5m in width and 2.4m in height, but if there is a requirement outside of this specification, then this can be made to measure and custom to the sites needs.

The Vehicle Access Gate can be painted in any RAL colour, giving the client the option the add the companies brand to site perimeter.

2.4m x 5.1 SiteGard™ Double Leaf Gate - Mesh Clad - Black RAL 9005



Hoarding Gate Specification

Description	Size (mm)	Weight (kg)
4m Vehicle Hoarding Gate	H2400 x W4024	213
5m Vehicle Hoarding Gate	H2400 x W5026	183
6m Vehicle Hoarding Gate	H2400 x W6138	196



Double Leaf Gate



Vehicle Access



Timber Hoarding Pedestrian Gate

Pedestrian access is a common requirement for most sites, and SafeSite Facilities provides bespoke pedestrian gates tailored to your specific needs.

Our standard gates measure 1.3m in width and 2.4m in height, but we also offer custom-made solutions to accommodate site-specific requirements. Pedestrian gates can be finished in any RAL colour, allowing clients to incorporate their company branding into the site perimeter.

These gates can be connected to create a continuous partition, enhancing site security. Made from steel, they are lightweight, easy to transport, and simple to install while offering exceptional durability in outdoor environments.

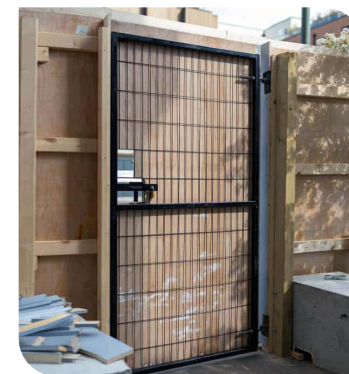
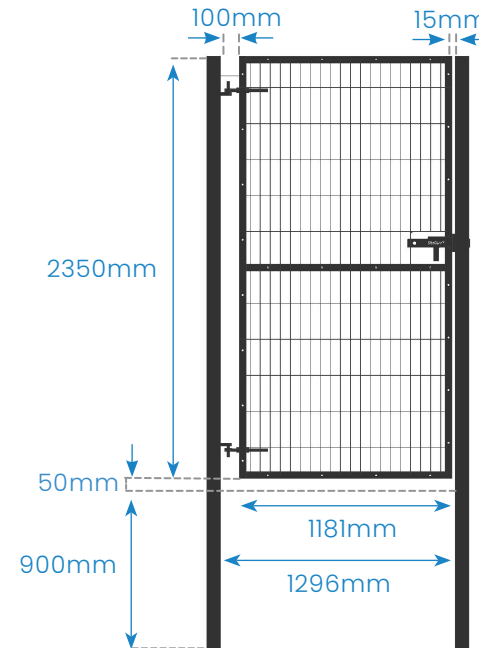
Additionally, single-leaf pedestrian doors can be integrated with a door blank in timber hoarding, ensuring a secure and seamless hoarding line without encroaching on the site.

Hoarding Gate Specification

Description	Size (mm)	Weight (kg)
Pedestrian Hoarding Gate	H2400 x W1296	78



PLAN VIEW

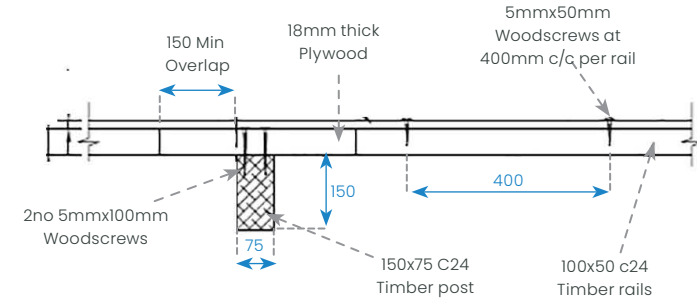
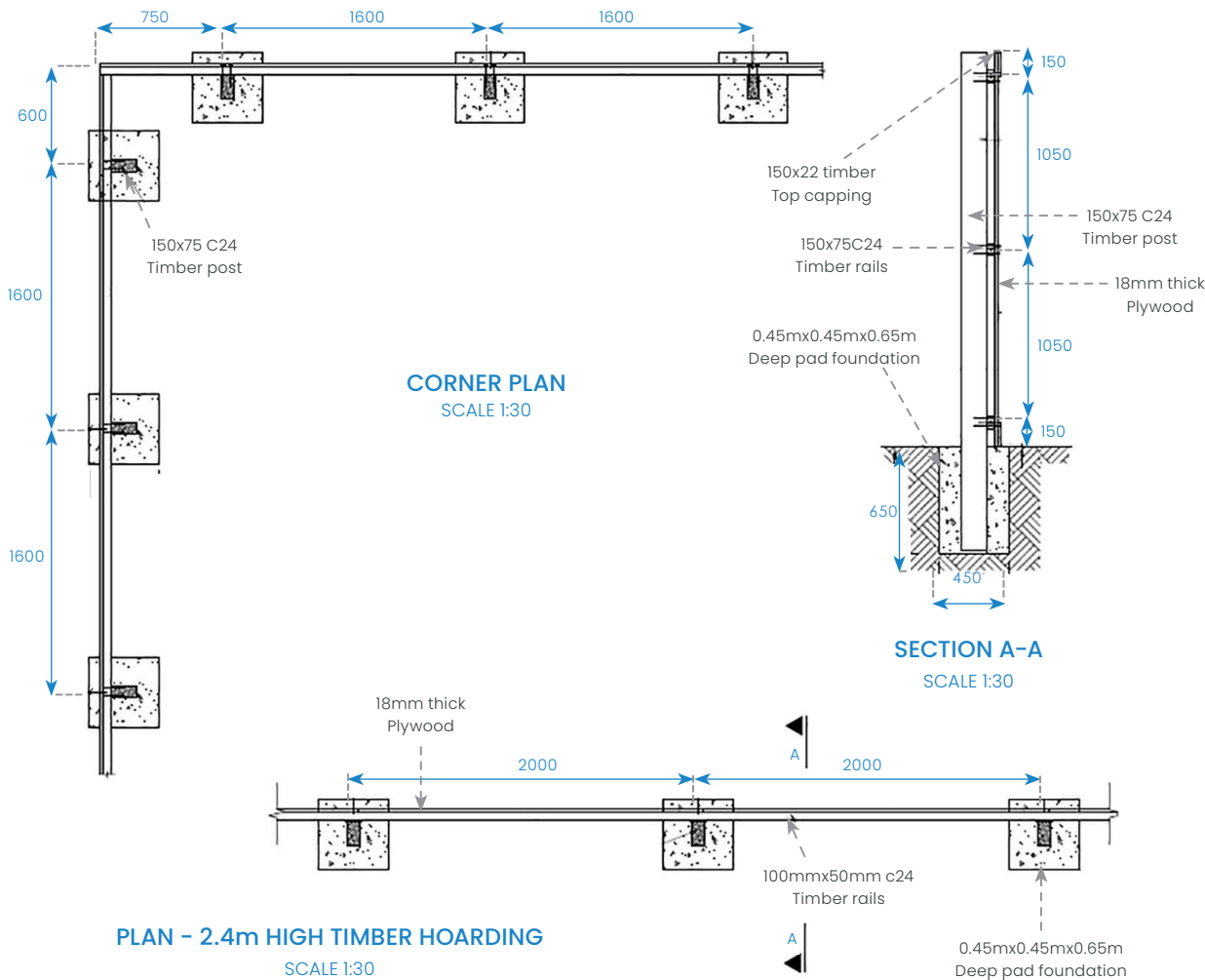


Single Leaf Gate with Door Blank Timber Hoarding



Technical Details

Drawing Title: 2.4m HIGH TIMBER HOARDING
- BURIED INTO GOOD GROUND
(HARD DIG)



DETAIL 2 - (Rail to Post & Ply to Rail) SCALE 1:30

NOTE: -
POST INSTALLED AT 1.6m C/C FOR
THE FIRST 4.8m LENGTH OF HOARDING
AND 2m C/C THERE AFTER.

NOTE: -
TIMBER HOARDING HAS BEEN DESIGNED
FOR A MAXIMUM NET WIND PRESSURE
OF 0.4856kN/m²

NOTE: -
COMPACT, WELL GRATED SAND & GRAVEL, HARD CLAY,
WELL-GRATED FINE & COARSE SAND, DECOMPOSED
GRANITE ROCK & SOIL.
GOOD SOILS DRAIN WELL.
GROUND FACTOR G=630kN/m²

NOTE: -
TIMBER HOARDING HAS NOT BEEN
DESIGNED FOR THE FOLLOWING
1. VEHICLE IMPACT LOADINGS
2. AS A RETAINING STRUCTURE
3. CROWD LOADING

NOTE: -
HORIZONTAL RAIL SPACING ARE
APPROXIMATE

NOTE: -
TIMBER HOARDING MAINTENANCE IN
THE SOLE RESPONSIBILITY OF THE
MAIN CONTRACTOR / CLIENT.

CONNECTION DETAIL

CONNECTION DETAIL		
RAIL - POST	5mm x 100mm WOODSCREW	2
PLY - RAIL	5mm x 50mm WOODSCREW	400mm C/C 16No Per Board
TRIM - PLY	3mm x 40mm DRYWALL	400mm C/C Capping/Skirting Stagger
		500mm C/C 4No Joint Ship Into Rails

*Sizes in mm